



GETTING STARTED

Crown is excited to offer the following options for Ford's new F-150 Police Responder/SSV. From base wiring to a turn-key Ready-for-Patrol package, use this easy-to-follow ordering guide to get the vehicle you want, the way you want.



SEAMLESS CUSTOMER PROCESS

- 1 Select your equipment options from this Crown F-150 Police Responder/SSV Ordering Guide.
- 2 Dealer contacts Crown at 1-800-585-1774 or through their regional sales manager to discuss specifications, ask questions and review engineering requirements.
- 3 Crown provides a quote for the agreed upon build after all details of the upfit options have been established.
- 4 Financial arrangements are established between a Crown representative and the ordering dealership so the agency transaction can be executed.
- 5 Once a Purchase Order has been secured by Crown, the dealership will receive an order confirmation that verifies all equipment and pricing.
- 6 Dealer orders the F-150 Police Responder/SSV with the ShipThru Code **31L - D9K**. The dealership code, body code and order number(s) are then provided to Crown.
- 7 Ford produces the vehicle and it is shipped to Crown for upfitting. When upfit is completed the vehicle is put back into the Ford transportation system and shipped directly to the ordering dealership's location.

CROWN TEAM



SALES - WESTERN U.S.
Jon Gaddis
503-780-5151
j.gaddis@kerrindustries.com



SALES - EASTERN U.S. & CANADA
Wes Stafford
519-615-4441
w.stafford@crowna-na.com



SALES - CENTRAL U.S.
Jeff Nichols
248.505.7410
j.nichols@kerrindustries.com



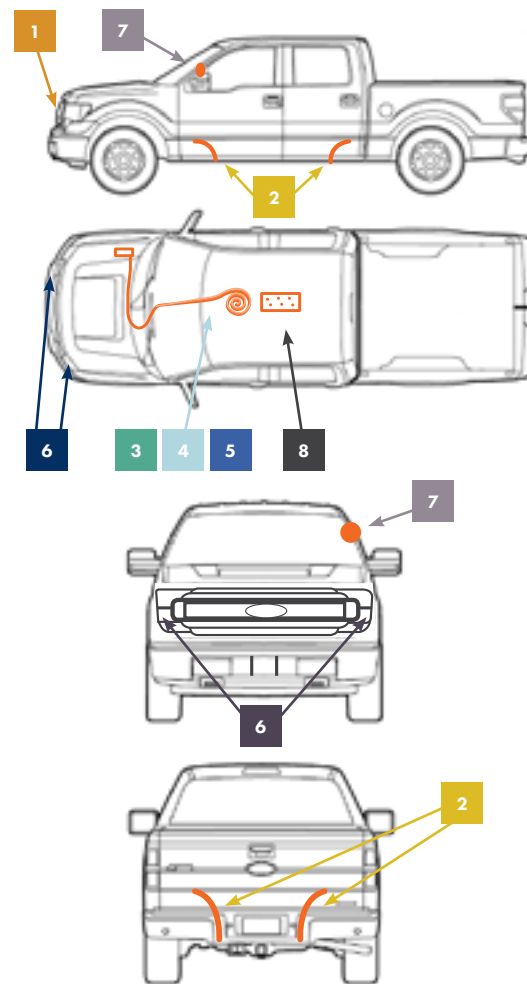
VEHICLE INTEGRATION & ENGINEERING
Dan McHattie
800.585-1774
d.mchattie@kerrindustries.com



EQUIPMENT OPTIONS

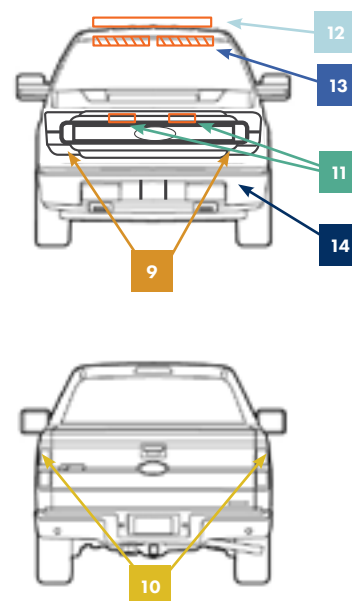
FOUNDATION

EQUIPMENT	DESCRIPTION	CODE
Power Management & Wiring Harness		
<input type="checkbox"/> BASE PREP PACKAGE	<ul style="list-style-type: none"> Pre-wiring for two grille light LED's (including sync wire) Frame to body noise suppression bonding straps 30A ignition and 50A battery circuit, ground circuit Wiring harnesses are coiled beneath dash at center stack Siren speaker & horn relay circuit Front headlamp flash (wig wag) Driver side halogen spot lamp 	C700B
<input type="checkbox"/> Driver Side Halogen Spot Lamp Delete	<i>Note:</i> Must order C700B (Base Prep Package)	C710C
<input type="checkbox"/> Dual Halogen Spot Lamps (driver and passenger side)	<i>Note:</i> Must order C700B (Base Prep Package)	C710D
<input type="checkbox"/> Driver Side LED Spot Lamp	<i>Note:</i> Must order C700B (Base Prep Package)	C710E
<input type="checkbox"/> Dual LED Spot Lamps (driver and passenger side)	<i>Note:</i> Must order C700B (Base Prep Package)	C710
<input type="checkbox"/> Front Power Management System (BIT-13)	<ul style="list-style-type: none"> 5 ignition circuits, 5 battery circuits 3 independently programmable timed circuits (for automatic shutoff of equipment at 0.5, 1, 2 or 4 hours) Individual fuse for each circuit with LED status indicators <i>Note:</i> Must order C700B (Base Prep Package)	CBITF



STRUCTURE

EQUIPMENT	DESCRIPTION	CODE
Emergency Lighting & Equipment		
<input type="checkbox"/> LED Corner Lights - Headlamps and Tail lamps	Available in RED, WHITE or BLUE; please call for other colors	CF67A
<input type="checkbox"/> LED Corner Lights - Tail Lamp only	Available in RED, WHITE or BLUE; please call for other colors	CF67B
<input type="checkbox"/> Front Grille LED Lights	Available in RED, WHITE or BLUE; please call for other colors <i>Note:</i> Must order C700B (Base Prep Package)	CGRIL-LED
<input type="checkbox"/> Light Bar - Exterior	Available from Federal Signal, Whelen, Code 3, Sound Off. <i>Call Crown to specify light bar preference and light colors</i>	CLTBAR-EXT
<input type="checkbox"/> Light Bar - Interior	Available from Federal Signal, Whelen, Code 3, Sound Off. <i>Call Crown to specify light bar preference and light colors</i>	CLTBAR-INT
<input type="checkbox"/> Siren Speaker	100-watt siren speaker mounted behind front bumper <i>Note:</i> Must order C700B (Base Prep Package) <i>Call Crown if ordering factory option 17C</i>	CSPEAK



EQUIPMENT OPTIONS

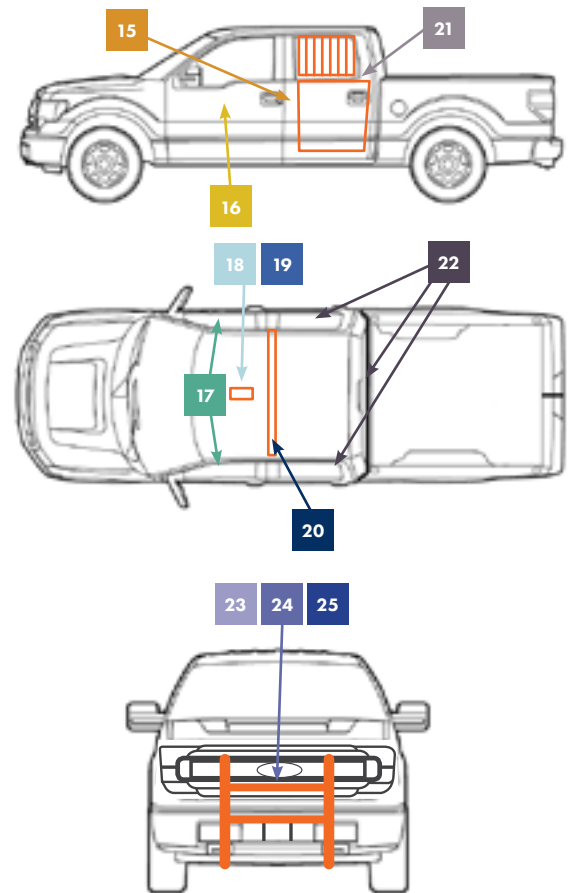
COMFORT & CONTROLS

EQUIPMENT	DESCRIPTION	CODE
Console & Equipment Mounting		
<input type="checkbox"/> Center Console	<ul style="list-style-type: none"> . Top plate, dual cupholder and armrest . Faceplates to match equipment <i>Call Crown to discuss tablet/laptop mounting solutions</i> 	CON19-AC
<input type="checkbox"/> Lighting Siren Equipment Controllers	<ul style="list-style-type: none"> . Available from Federal Signal, Whelen, Code 3, Sound Off. <i>Call Crown to specify controller preference</i> 	CCLIG



SAFETY & SECURITY

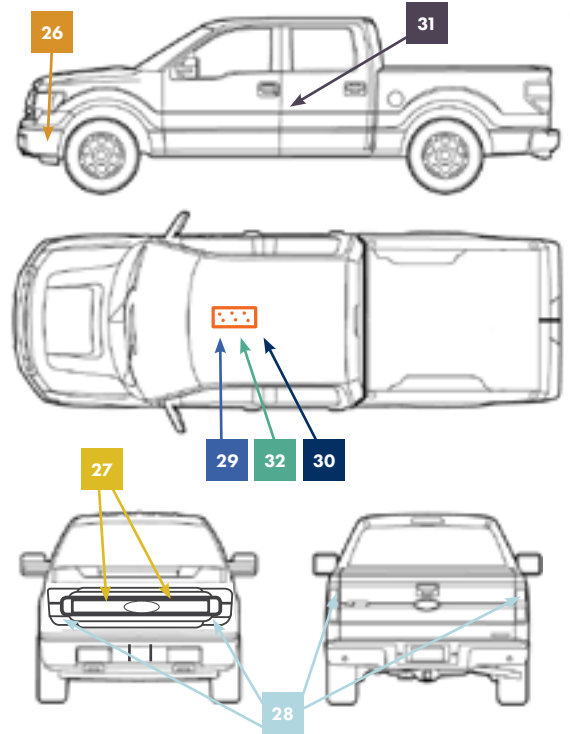
EQUIPMENT	DESCRIPTION	CODE
Officer Protection & Equipment		
<input type="checkbox"/> Vehicle Anti-theft System	<ul style="list-style-type: none"> . Allows for removal of key while engine is running 	CF47A
<input type="checkbox"/> Hidden Manual Door Locks	<ul style="list-style-type: none"> . Door lock rods, rear driver and passenger side only 	15 CF452
<input type="checkbox"/> NIJ Level 3A Ballistic Door Panel - Driver front door only		16 CF75D
<input type="checkbox"/> NIJ Level 3A Ballistic Door Panel - Driver & Passenger front doors		17 CF75E
Prisoner Containment & Accessories		
<input type="checkbox"/> Shot Gun Rack - Single Vertical	<ul style="list-style-type: none"> . Mounted between driver and passenger bucket seats on partition 	18 CVETS
<input type="checkbox"/> Gun Rack - Dual Vertical	<ul style="list-style-type: none"> . Mounted between driver and passenger bucket seats on partition . Includes one universal lock for AR and one small lock for shotgun 	19 CVETD
<input type="checkbox"/> Prisoner Partition	<ul style="list-style-type: none"> . Horizontal center sliding window . Includes recessed panel and lower extension panels 	20 CPCS-RP
<input type="checkbox"/> Rear Passenger Door Protection	<ul style="list-style-type: none"> . Side window barriers with steel horizontal bars . Aluminum door panel covers 	21 CRDPS-2
<input type="checkbox"/> Rear Passenger Door Protection - Rear Window Barrier with Steel Bars	<ul style="list-style-type: none"> . Side window barriers with steel horizontal bars . Aluminum door panel covers . Rear window barrier with steel bars 	22 CRDPS-3
Exterior Enhancements		
<input type="checkbox"/> Setina PB400 Push Bumper		23 CPUSH-SET
<input type="checkbox"/> Setina PB450 Push Bumper - with Two LED Modules	<ul style="list-style-type: none"> . LED lights integrated into front cross bar <i>Note: must order C700B (Base Prep Package)</i> 	24 CPUSH-LED2
<input type="checkbox"/> Setina PB450 Push Bumper - with Four LED Modules	<ul style="list-style-type: none"> . LED lights integrated into the push bumper . Two LEDs located in front cross bar & two side facing LEDs <i>Note: must order C700B (Base Prep Package)</i> 	25 CPUSH-LED4



PACKAGES & TURN-KEY SOLUTIONS

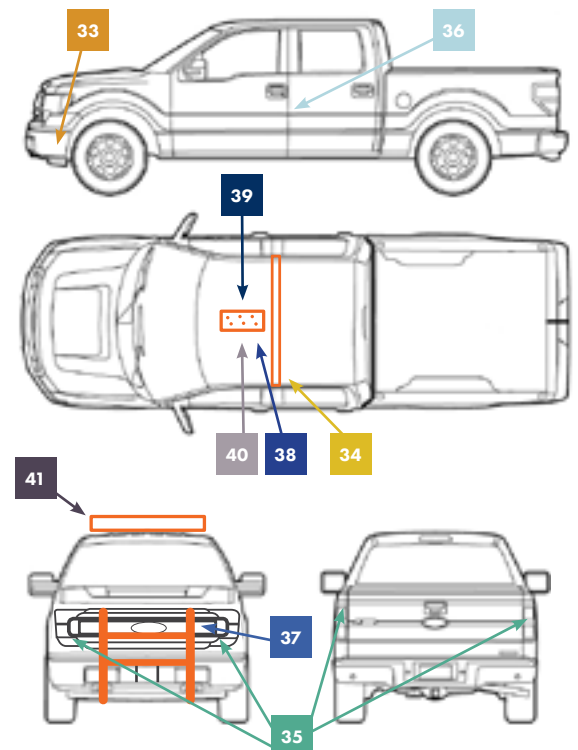
READY-FOR-THE-ROAD

PACKAGE	DESCRIPTION	CODE
<input type="checkbox"/> READY-FOR-THE-ROAD PACKAGE	Note: must order C700B (Base Prep Package)	
Includes:	. Siren speaker	26
	. Two grille LED modules	27
	. Corner LEDs mounted in head lamps and tail lamps	28
	. Integrated wiring harness	29
	. Power management system (see CBITF contents above)	30
	. Hidden manual rear door lock rods	31
	. Siren Controller	32
Choice of:	- Federal Signal Smart Siren SSP2000B	CP77B-F
	- Whelen CenCom Sapphire	CP77B-W



READY-FOR-PATROL

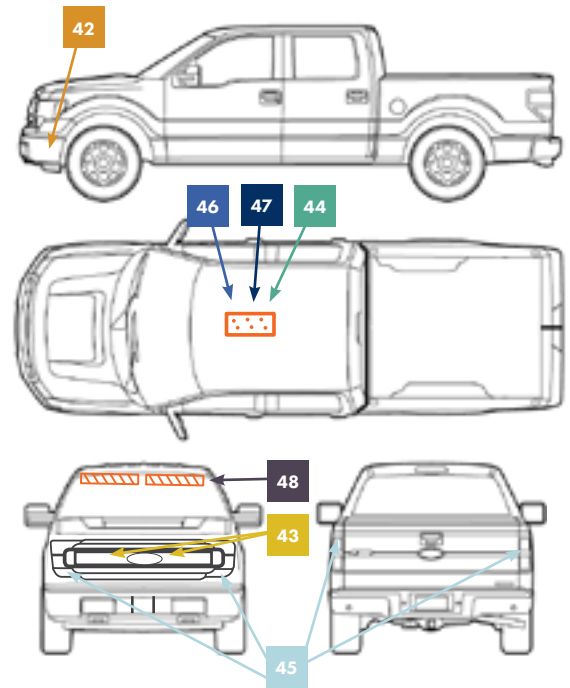
PACKAGE	DESCRIPTION	CODE
<input type="checkbox"/> READY-FOR-PATROL PACKAGE	Note: must order C700B (Base Prep Package)	
Includes:	. Siren speaker	33
	. Prisoner partition with horizontal center sliding window and recessed panel	34
	. Corner LEDs mounted in head lamps and tail lamps	35
	. Hidden manual rear door lock rods	36
	. Setina push bumper with 4 integrated LEDs	37
	. Power management system (see CBITF contents above)	38
	. Center equipment console with armrest and cupholder	39
	. Controller with integrated wiring harness	40
	. Dual color light bar	41
	Choice of:	- Federal Signal Smart Siren SSP2000B and Allegiant Lightbar
- Whelen CenCom Siren Controller and Legacy DUO Lightbar		CP77PR-W



PACKAGES & TURN-KEY SOLUTIONS

UNDERCOVER

PACKAGE	DESCRIPTION	CODE
<input type="checkbox"/> UNDERCOVER PACKAGE	<p>Note: must order C700B (Base Prep Package), order C710C for Driver Side Halogen Spot Lamp Delete</p> <p>Includes:</p> <ul style="list-style-type: none"> . Siren speaker . Two grille LED modules . Power Management System . Corner LEDs mounted in head lamps and tail lamps . Center console with armrest and cupholder . Controller with integrated wiring harness . Low-profile interior lightbar <p>Choice of:</p> <ul style="list-style-type: none"> - Federal Signal Smart Siren SSP2000B Controller and Spectralux - Whelen CenCom controller and DUO Inner Edge 	
		42
		43
		44
		45
		46
		47
		48
		CP77UC-F
		CP77UC-W



K9 TRANSPORT

EQUIPMENT	DESCRIPTION	CODE
<input type="checkbox"/> K9 Unit	<p>Includes: . Window guards, door panels and rubber mat</p> <p>Note: must order C700B (Base Prep Package)</p> <p>Canine Accessories:</p> <ul style="list-style-type: none"> <input type="checkbox"/> Door Popper System <input type="checkbox"/> Cooling Fan System (Includes monitor and alarm) <input type="checkbox"/> Pager for Cooling Alarm System <input type="checkbox"/> Non-spill Water Dish 	CK9U
		CK9DOR
		CK9COL
		CK9COLPAG
		CK9WATD



Crown Warranty

All equipment supplied and installed by Crown is backed by a 3-year/36,000 mile warranty, and does not void the vehicle's factory warranty.

Special Requirements?

Crown can customize most of the vehicle build to meet your exact requirements.

Need Additional Equipment?

If there are any items that the agency would prefer please let the Crown team know. We're here to work for you!

Please list any additional requirements not outlined above: